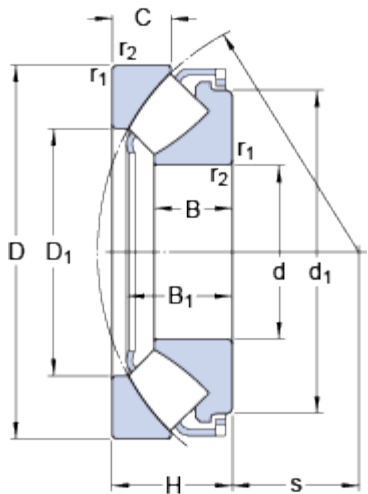


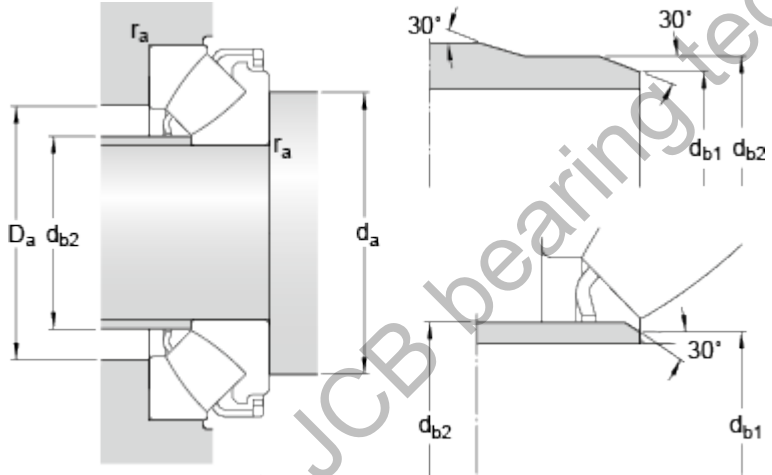
29336

Dimensions



d	180	mm
D	300	mm
H	73	mm
d ₁	≈ 270	mm
D ₁	≈ 227	mm
B	46	mm
B ₁	66.2	mm
C	35.5	mm
s	103	mm
r _{1,2}	min. 3	mm

Abutment dimensions



d _a	min. 235	mm
d _{b1}	max. 189	mm
d _{b2}	max. 195	mm
D _a	max. 262	mm
r _a	max. 2.5	mm

Calculation data

Basic dynamic load rating	C	1430	kN
Basic static load rating	C ₀	4300	kN
Fatigue load limit	P _u	440	kN
Reference speed		1200	r/min
Limiting speed		2000	r/min
Minimum axial load factor	A	1.8	

Mass

Mass bearing		19.5	kg
--------------	--	------	----